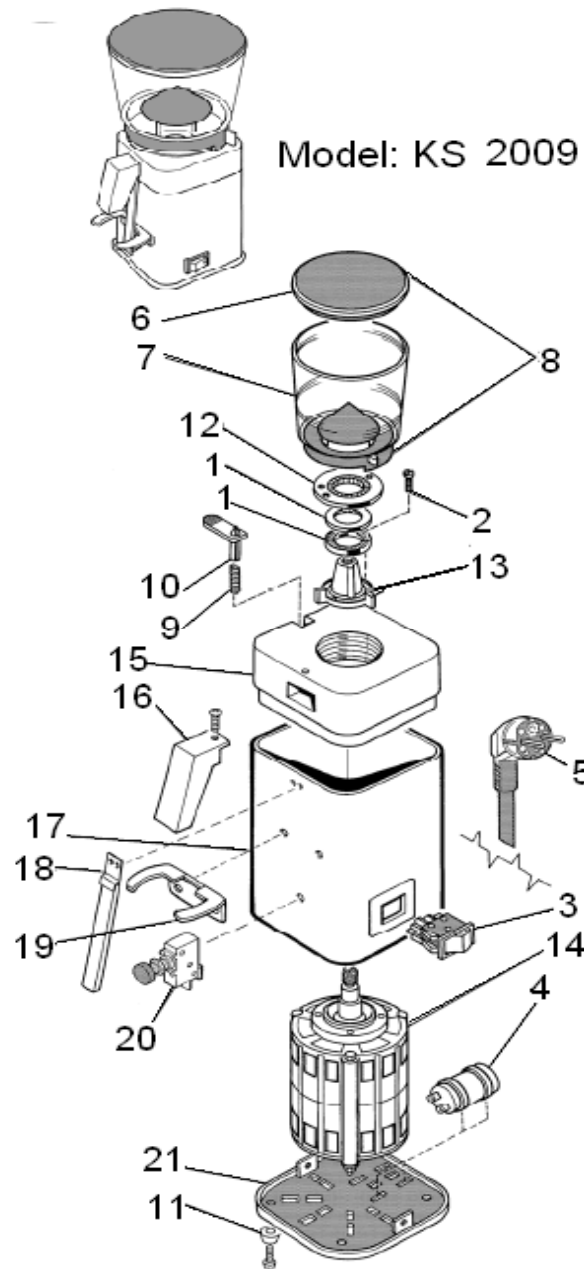


KS SPARE PARTS CATALOGUE





Assembly

Pos.	Part No.	Description
1	50	Ø 50 PAIRS OF BLADES FOR H
2	Vs- 50	GRINDING TEETH SCREW for Ø 50
3	89	LIGHTED SWITCH ON -OFF
4	90- 6	CAPACITOR 6 MF FOR H (Volt.220-230-240)
5	93- AU-NZ	CABLE WITH UK PLUG
6	216	LID BEAN CONTAINER FOR B+H
7	217	HOPPER FOR B+H
8	217- C	COMPLETE HOPPER FOR B+H
8	217- CS	COMPLETE HOPPER FOR B+H WITH CLOSING
9	224	UNLOCKING SPRING PIN FOR B+SB+H
10	225	COMPLETE UNLOCKING PIN FOR B+H
11	237	RUBBER FOOT FOR B+SB+H
12	250	BLADE ADJUSTING RING FOR H
13	251	LOWER CUTTINGHOLDER Ø 50 FOR H+K
14	252	BUNDLE MOTOR FOR H+K V.220-30-240/50
15	270	BODY COFFEE-GRINDER FOR KS
16	271	INOX SPOUT FOR KS
17	272	INOX BODY FOR KS
18	273	INOX PUSH-BUTTON LEVER KS
19	274	INOX FILTER HOLDER FORK FOR KS
20	275	SHORT MICROSWITCH FOR KS
21	276	COVER BASE FOR KS

KS